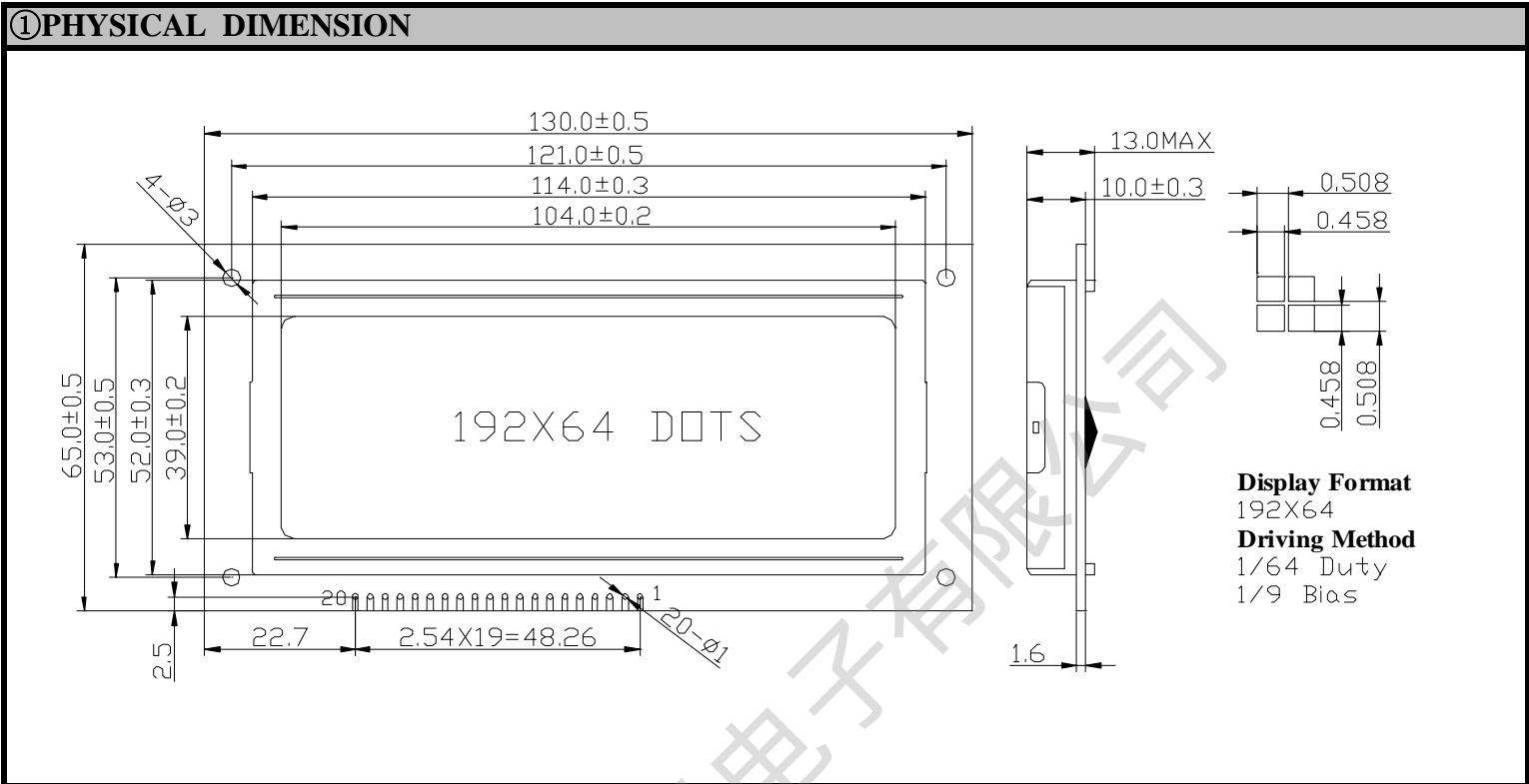


19264-1



②MECHANICAL SPECIFICATIONS

Item	Normal Dimensions(mm)
Module Size(W×H×T)	130.0×65.0×13.0
Viewing Area(W×H)	104.0×39.0
Dot Pitch(W×H)	0.508×0.508
Dot Size(W×H)	0.458×0.458

④FEATURE

LCD Type & Colour	STN:Yellow-Green、Blue,FSTN
View Angle	6 O'clock
Display Type	Positive Type,Negative Type
Control IC & Package	ST7920,COB
Operating Temperature	-20℃~70℃
Storage Temperature	-30℃~80℃

③PIN CONNECTIONS

Pin	Symbol	Function
1	VSS	Ground for Logic(0V)
2	VDD	Power supply for Logic(+5V)
3	V0	Power supply for LCD Driver
4	/RST	Reset Signal (Active Low)
5	RS	H: Data;L: Instruction Code (P) / Clock (S)
6	R/W	H: Read; L: Write(P) / Data input (S)
7	E1	Enable signal(up screen)
8	E2	Enable signal(down screen)
9	PSB	H:Parallel Mode; L:Serial Mode
10~17	DB0~DB7	Data Bus Line
18	LED+	Backlight Power (+5V)
19	LED-	Backlight Power (0V)
20	VEE	Voltage Doubler Ouput

⑤ELECTRICAL CHARACTERISTICS (Supply current doesn't contain backlight)

Item	Symbol	Test Condition	Typ.	Unit
Operating Voltage	Vdd	Ta=25℃	5.0	V
Supply Current	Idd	Ta=25℃ , Vdd=5.0V	1.5	mA