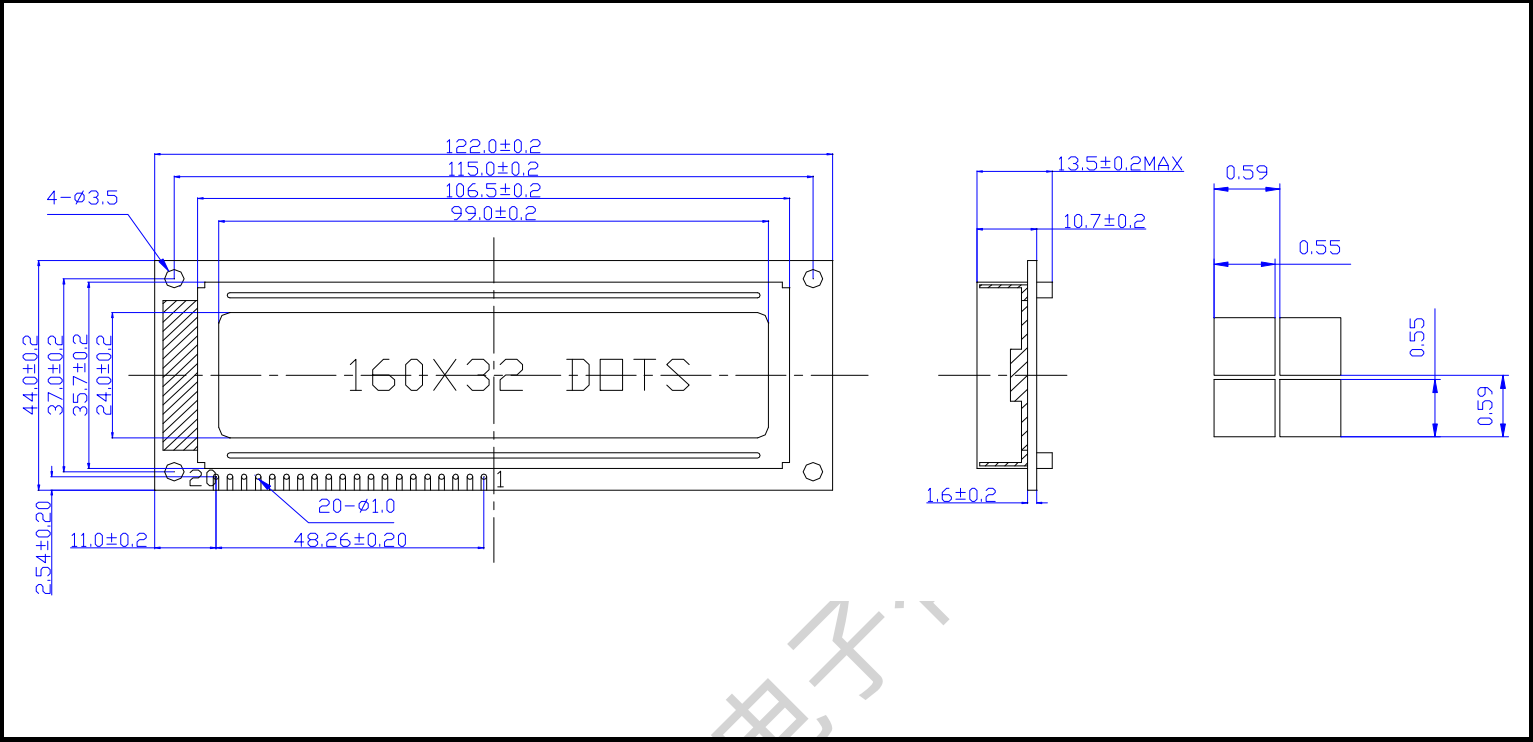


# MJ16032-1

## ①PHYSICAL DIMENSION



## ②MECHANICAL SPECIFICATIONS

Item	Normal Dimensions(mm)
Module Size(W×H×T)	122.0×44.0×13.0
Viewing Area(W×H)	99.0×24.0
Dot Pitch(W×H)	0.59×0.59
Dot Size(W×H)	0.55×0.55

## ④FEATURE

LCD Type & Colour	STN:Yellow-Green、Blue,FSTN
View Angle	6 O'clock
Display Type	Positive Type,Negative Type
Control IC & Package	BT1520,COB
Operating Temperature	-20℃~70℃
Storage Temperature	-30℃~80℃

## ③PIN CONNECTIONS

Pin	Symbol	Function
1	VSS	Ground for Logic(0V)
2	VDD	Power supply for Logic(+5V)
3	V0	Power supply for LCD Driver
4	RS/CS	H: Data; L: Instruction Code/Chip select
5	RW/SID	H: Read; L: Write(Parallel)/Data(Serial)
6	E/SCLK	Enable Signal(Parallel) / Serial Clock
7~14	DB0~DB7	Data Bus Line
15	PSB	H:Parallel Mode; L:Serial Mode
16	NC	NO Connect
17	/RST	Reset Signal (Active LOW )
18	VEE	Power supply for LCD Driver
19	LED+	Backlight Power (+5V)
20	LED-	Backlight Power (0V)

## ⑤ELECTRICAL CHARACTERISTICS (Supply current doesn't contain backlight)

Item	Symbol	Test Condition	Typ.	Unit
Operating Voltage	Vdd	Ta=25℃	5.0	V
Supply Current	Idd	Ta=25℃ , Vdd=5.0V	1.2	mA