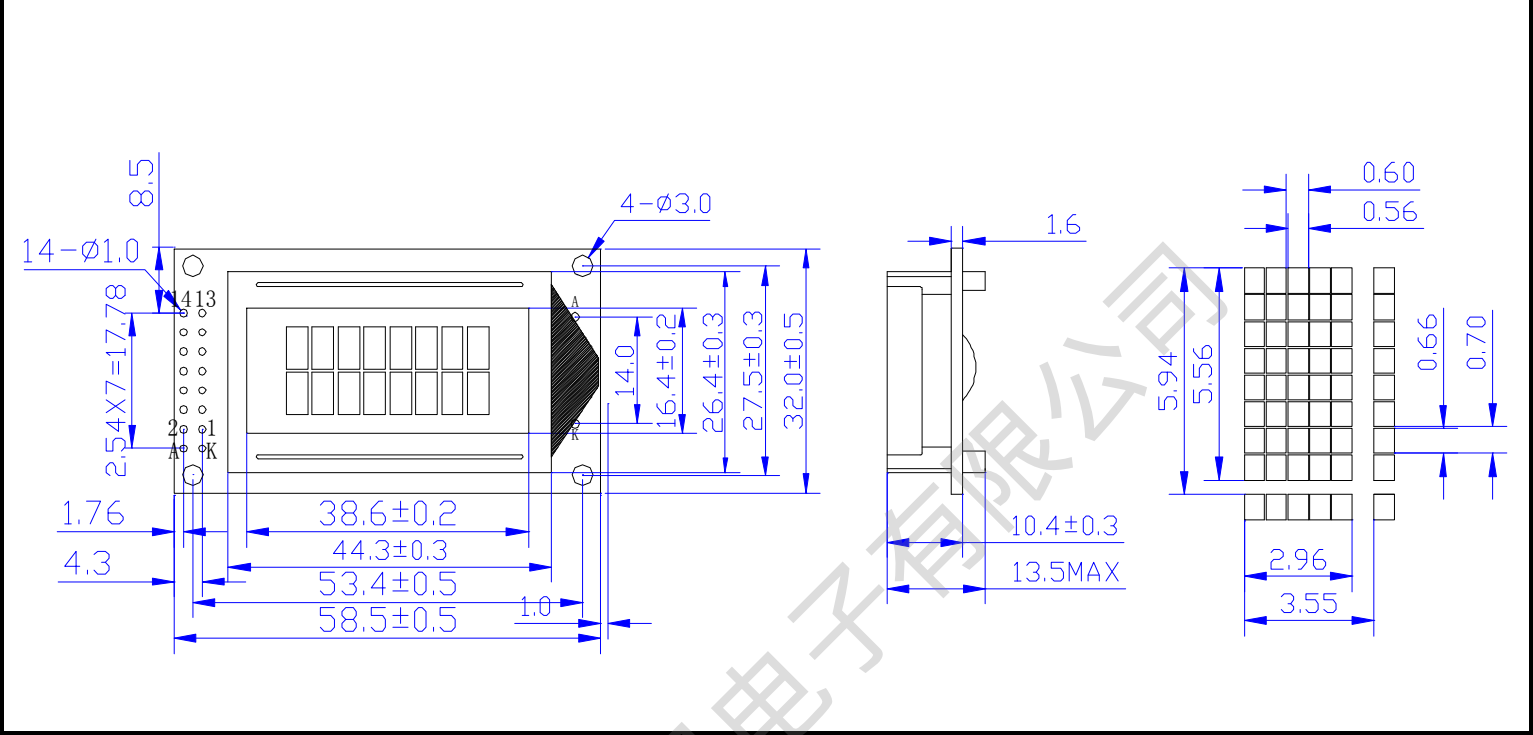


# MJ0802B-1 V3.55

## ① PHYSICAL DIMENSION



## ② MECHANICAL SPECIFICATIONS

Item	Normal Dimensions(mm)
Module Size(W×H×T)	58.5.0×32.0×13.5
Viewing Area(W×H)	38.6×16.4
Character Size(W×H)	2.96×5.56
Dot Size(W×H)	0.56×0.66

## ④ FEATURE

LCD Type & Colour	STN:Yellow-Green、Blue,FSTN
View Angle	6 O'clock
Display Type	Positive Type,Negative Type
Control IC & Package	KS0066,COB
Operating Temperature	-20℃~70℃
Storage Temperature	-30℃~80℃

## ③ PIN CONNECTIONS

Pin	Symbol	Function
A	LED+	BackLight(+5V)
K	LED-	BackLight(0V)
1	VSS	Ground for Logic(0V)
2	VDD	Power supply for Logic(+5V)
3	V0	Power supply for LCD Driver
4	RS	H: Data; L: Instruction Code
5	R/W	H: Read; L: Write
6	E	Enable signal
7~14	DB0~DB7	Data Bus Line

## ⑤ ELECTRICAL CHARACTERISTICS (Supply current doesn't contain backlight)

Item	Symbol	Test Condition	Typ.	Unit
Operating Voltage	Vdd	Ta=25℃	5.0	V
Supply Current	Idd	Ta=25℃ , Vdd=5.0V	1.2	mA