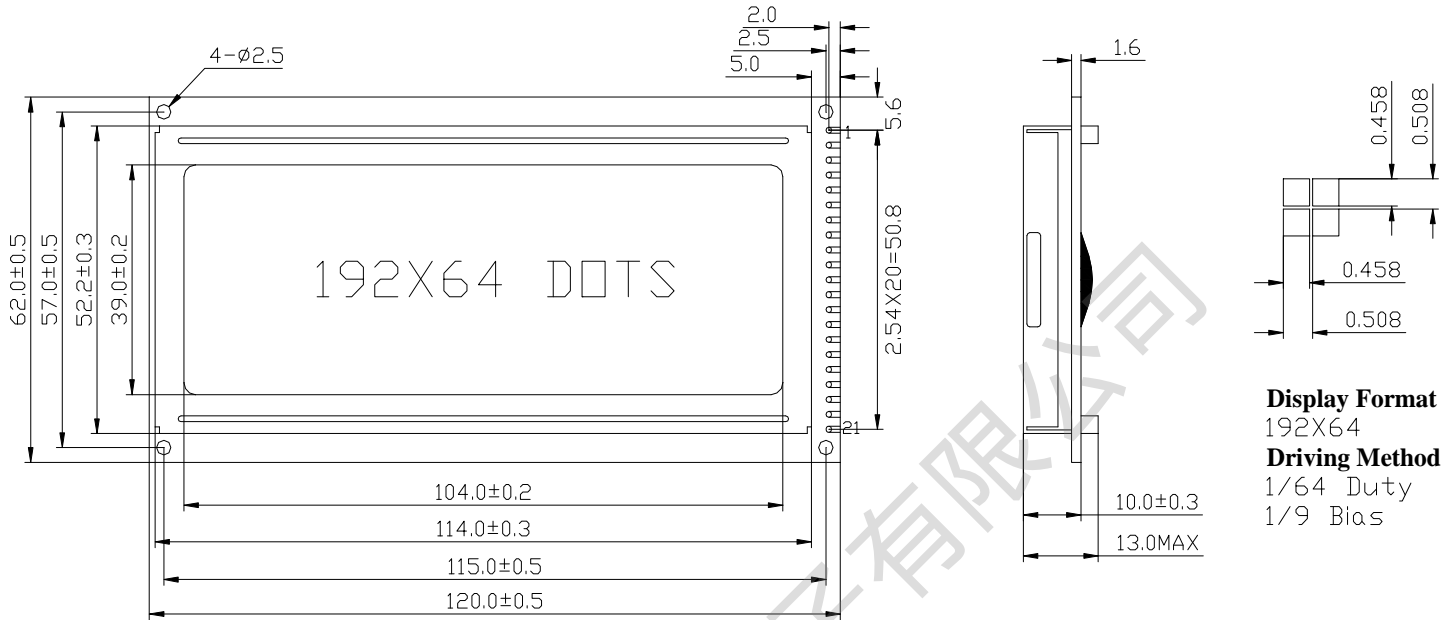


WJ19264C



① PHYSICAL DIMENSION



② MECHANICAL SPECIFICATIONS

Item	Normal Dimensions(mm)
Module Size(W×H×T)	120.0×62.0×13.0
Viewing Area(W×H)	104.0×39.0
Dot Pitch(W×H)	0.508×0.508
Dot Size(W×H)	0.458×0.458

④ FEATURE

LCD Type & Colour	STN:Yellow-Green、Blue,FSTN
View Angle	6 O'clock
Display Type	Positive Type,Negative Type
Control IC & Package	KS0107,COB
Operating Temperature	-20℃~70℃
Storage Temperature	-30℃~80℃

③ PIN CONNECTIONS

Pin	Symbol	Function
1	VSS	Ground for Logic(0V)
2	VDD	Power supply for Logic(+5V)
3	V0	Power supply for LCD Driver
4	VEE	Negative voltage output
5	RS	H: Data; L: Instruction Code
6	R/W	H: Read; L: Write
7	E	Enable signal
8~15	DB0~DB7	Data Bus Line
16	/CS1	L:Chip Selection For Left Screen
17	/CS2	L:Chip Selection For Middle Screen
18	/CS3	L:Chip Selection For Right Screen
19	/RST	Reset Signal (Active Low)
20	LED+	Backlight Power (+5V)
21	LED-	Backlight Power (0V)

⑤ ELECTRICAL CHARACTERISTICS (Supply current doesn't contain backlight)

Item	Symbol	Test Condition	Typ.	Unit
Operating Voltage	Vdd	Ta=25℃	5.0	V
Supply Current	Idd	Ta=25℃ , Vdd=5.0V	8.0	mA