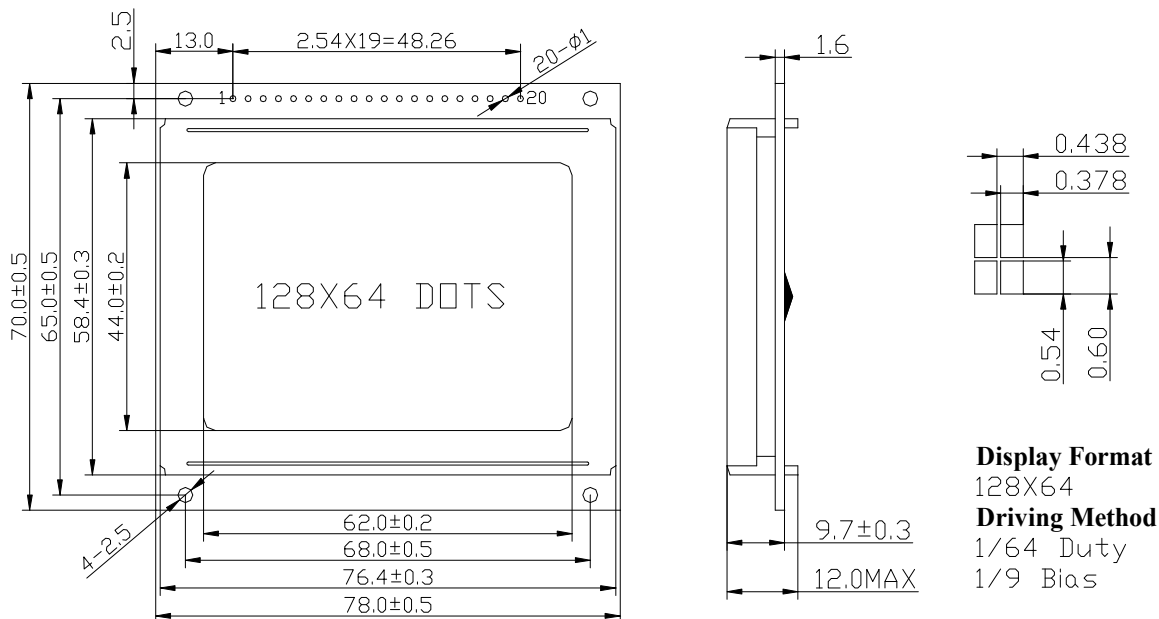


MJ12864C



① PHYSICAL DIMENSION



② MECHANICAL SPECIFICATIONS

Item	Nominal Dimensions(mm)
Module Size(W×H×T)	78.0×70.0×12.0
Viewing Area(W×H)	62.0×44.0
Dot Pitch(W×H)	0.438×0.60
Dot Size(W×H)	0.378×0.54

④ FEATURE

LCD Type & Colour	STN:Yellow-Green、Blue,FSTN
View Angle	6 O'clock
Display Type	Positive Type,Negative Type
Control IC & Package	KS0107,COB
Operating Temperature	-20℃~70℃
Storage Temperature	-30℃~80℃

③ PIN CONNECTIONS

Pin	Symbol	Function
1	/CS1	L:Chip Selection For Left Screen
2	/CS2	L:Chip Selection For Right Screen
3	VSS	Ground for Logic(0V)
4	VDD	Power supply for Logic(+5V)
5	V0	Power supply for LCD Driver
6	RS	H: Data; L: Instruction Code
7	R/W	H: Read; L: Write
8	E	Enable signal
9~16	DB0~DB7	Data Bus Line
17	/RST	Reset Signal (Active Low)
18	VEE	Negative voltage output
19	LED+	Backlight Power (+5V)
20	LED-	Backlight Power (0V)

⑤ ELECTRICAL CHARACTERISTICS (Supply current doesn't contain backlight)

Item	Symbol	Test Condition	Typ.	Unit
Operating Voltage	Vdd	Ta=25℃	5.0	V
Supply Current	Idd	Ta=25℃ , Vdd=5.0V	7.5	mA